



alimar[®]

AA SERIES ALTERNATOR GROUPS
AA SERİSİ ALTERNATÖR GRUPLARI





ALİMAR ALTERNATOR

Alimar alternators are specially designed for stand-by and prime applications, long strength and high efficiency industrial alternators. We are manufacturing the industry's top-line alternators with years of the experience

ALİMAR ALTERNATÖR

Alimar alternatörler Stand-by ve Prime uygulamalarda ihtiyaca özel dizayn edilmiş uzun ömürlü ve yüksek verimli endüstriyel alternatörlerdir. Yılların verdiği deneyim ile sektörün öncü alternatörlerini üretmekteyiz.



INTERNATIONAL STANDARDS

Alimar alternator produced according to IEC EN 60034 standard. Complies with standards like B55000, VDE0530, NEMA MG1-32, IEC34, CSA C22.2-100, AS1359

ULUSLARARASI STANDARTLAR

Alimar alternatör IEC EN 60034 standartlarına uygun olarak üretilmiş olup, B55000, VDE0530, NEMA MG1-32, IEC34, CSA C22.2-100, AS1359 gibi uluslararası standartları karşılamaktadır.



ELECTRICAL DESIGN

- Self excited, brushless
- "H" class insulation
- Low voltage winding
- Optimized performance
- Suitable for 50hz and 60 hz use
- Switchable voltage values
- Electronic AVR
- Interchangeable windings between star or delta connection
- High short circuit current resistance
- Power factor 0,8
- No de-rating up to 1000m and 40°C

ELEKTRİKSEL DİZAYN

- Kendinden ikazlı, fırçasız
- "H" sınıfı izolasyon
- Düşük Gerilim Sargısı
- Optimize Performans
- 50 Hz ve 60 Hz kullanıma uygun
- Değiştirilebilir voltaj değerleri
- Elektronik AVR
- Yıldız veya üçgen bağlantı arasında değiştirilebilir sargılar
- Yüksek kısa devre akımı dayanımı
- Güç Faktörü 0,8
- 1000m ve 40°C ye kadar güç düşümsüz



MECHANICAL DESIGN

- Compact desing resistance to vibration of the engine
- Steel frame
- Single bearing design
- Clockwise cycle
- Easy to access AVR and Terminal Box

MEKANİK DİZAYN

- Motorun titreşimlerine dayanıklı kompakt tasarım
- Çelik kasa
- Tek yataklı tasarım
- Saat yönünde çevrim
- Ulaşımı kolay AVR ve Terminal kutusu



AA Series / Serisi

THREE PHASE, BRUSHLESS, SYNCHRONOUS ALTERNATOR
ÜÇ FAZLI, FIRÇASIZ, SENKRON ALTERNATÖR



AA 274

TECHNICAL DATA SHEET / TEKNİK ÖZELLİKLER

50 Hz, CLASS / SINIF "H"

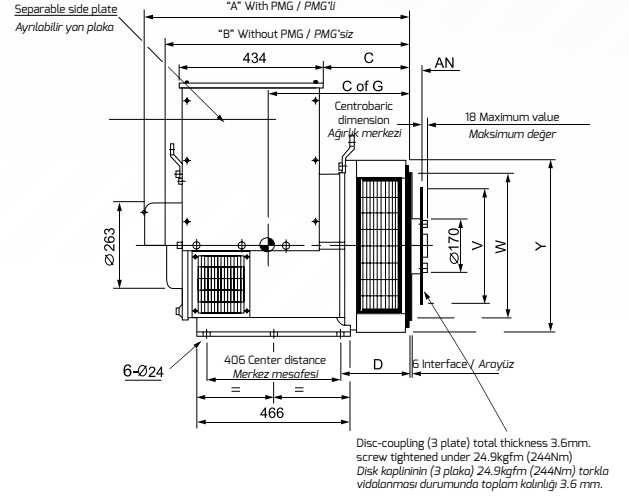
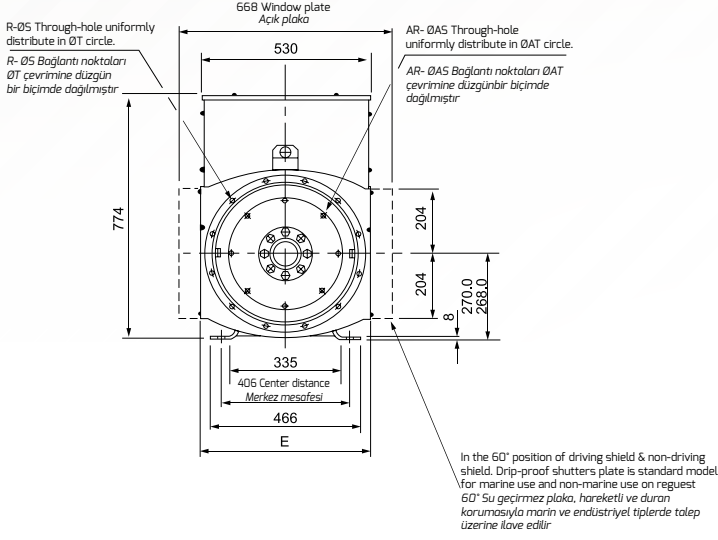
RATINGS / DEĞERLER		POWER FACTOR / GÜÇ FAKTÖRÜ 0.8											
DUTY / ÇALIŞMA TİPİ		CONTINUOUS / SÜREKLİ						STANDBY					
AMBIENT TEMP. / ORTAM SICAKLIĞI		40°C						27°C					
TEMP RISE / SICAKLIK ARTIŞI		H (125°C)						H (163°C)					
PHASE / FAZ		3 PHASE / FAZ						3 PHASE / FAZ					
SERIES STAR YILDIZ BAĞLANTI	Y	380	400	415	380	400	415	380	400	415	380	400	415
PARALLEL STAR PARALEL YILDIZ BAĞLANTI	YY	190	200	208	190	200	208	190	200	208	190	200	208
SERIES DELTA ÜÇGEN BAĞLANTI	Δ	220	230	240	220	230	240	220	230	240	220	230	240
MODEL		kVA	kW	kVA	kW	kVA	kW	kVA	kW	kVA	kW	kVA	kW
AA274C		100	80	100	80	100	80	110	88	110	88	110	88
AA274D		114	91.2	120	96	114	91.2	125	100	130	104	125	100
AA274E		140	112	140	112	140	112	150	120	150	120	150	120
AA274F		160	128	160	128	160	128	175	140	175	140	175	140
AA274G		180	144	180	144	180	144	200	160	200	160	200	160
AA274H		210	168	210	168	210	168	230	184	230	184	230	184
AA274J		230	184	230	184	230	184	260	208	260	208	260	208
AA274K		250	200	250	200	250	200	275	220	275	220	275	220

60 Hz, CLASS / SINIF "H"

RATINGS / DEĞERLER		POWER FACTOR / GÜÇ FAKTÖRÜ 0.8											
DUTY / ÇALIŞMA TİPİ		CONTINUOUS / SÜREKLİ						STANDBY					
AMBIENT TEMP. / ORTAM SICAKLIĞI		40°C						27°C					
TEMP RISE / SICAKLIK ARTIŞI		H (125°C)						H (163°C)					
PHASE / FAZ		3 PHASE / FAZ						3 PHASE / FAZ					
SERIES STAR YILDIZ BAĞLANTI	Y	416	440	460	416	440	460	416	440	460	416	440	460
PARALLEL STAR PARALEL YILDIZ BAĞLANTI	YY	208	220	230	208	220	230	208	220	230	208	220	230
SERIES DELTA ÜÇGEN BAĞLANTI	Δ	240	254	266	240	254	266	240	254	266	240	254	266
MODEL		kVA	kW	kVA	kW	kVA	kW	kVA	kW	kVA	kW	kVA	kW
AA274C		112.5	90	117.5	94	117.5	94	120	96	127.5	102	127.5	102
AA274D		131.3	105	137.5	110	137.5	110	142.5	114	150	120	150	120
AA274E		160	128	167.5	134	167.5	134	175	140	181.3	145	181.3	145
AA274F		181.3	145	190	152	190	152	192.5	154	206.3	165	206.3	165
AA274G		205	164	218.5	174.8	218.5	174.8	218.5	174.8	234	187.2	234	187.2
AA274H		248	198.4	248	198.4	248	198.4	270	216	270	216	270	216
AA274J		269	215.2	281	224.8	294	235.2	294	235.2	306	244.8	319	255.2
AA274K		291	232.8	299	239.2	312.5	250	312	249.6	320	256	343.8	275

SINGLE BEARING / TEK YATAKLI

DOUBLE BEARING / ÇİFT YATAKLI



DIMENSIONS / BOYUTLAR (mm)						SHIPPING DIMENSIONS / SEVKİYAT BOYUTLARI			
Model	A	B	C	E	C of G	Net Weight Net Ağırlık (kg)	Gross Weight Brüt Ağırlık (kg)	LxWxH(mm)	
SAE 1	AA274C	813.3	750.3	274.3	554	365	385	415	900x650x975
	AA274D	813.3	750.3	274.3	554	375	405	435	900x650x975
	AA274E	928.3	865.3	389.3	554	390	455	485	1020x650x975
	AA274F	928.3	865.3	389.3	554	415	500	530	1020x650x975
	AA274G	978.3	915.3	439.3	554	435	550	580	1080x650x975
	AA274H	1018.3	955.3	479.3	554	455	600	630	1110x650x975
SAE 2&3	AA274C	799	736	260	544	398	385	415	900x650x975
	AA274D	799	736	260	544	422	405	435	900x650x975
	AA274E	914	851	375	544	489	455	485	1020x650x975
	AA274F	914	851	375	544	527	500	530	1020x650x975
	AA274G	964	904	425	544	579	550	580	1080x650x975
	AA274H	1004	941	465	544	625	600	630	1110x650x975

FLANGE / FLANŞ (mm)							
S.A.E.NO.	D	R	S	T	W	X	Y
1	216.3	12	12.7	530.2	511.1	553	580
2	202	12	11	466.7	447.6	490	530
3	202	12	11	428.6	409.5	451	530

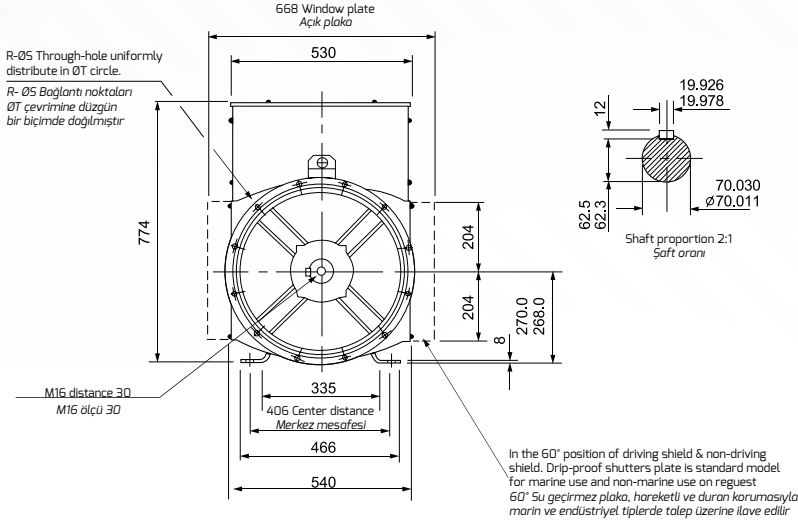
DISC COUPLING / DİSK KAPLİN (mm)				
S.A.E.NO.	AN	AR	AS	AT
10	53.98	8	11	295.3
11.5	39.68	8	11	333.3
14	25.40	8	13.5	438.2

AA 274

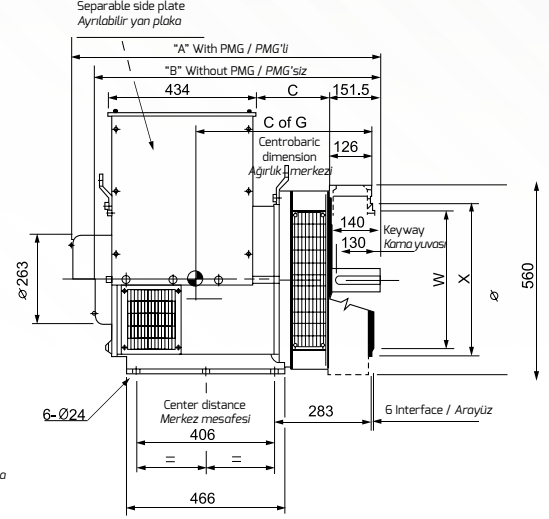
OVERALL DIMENSIONS / ÖLÇÜLER



SINGLE BEARING / TEK YATAKLI



DOUBLE BEARING / ÇİFT YATAKLI



DIMENSIONS / BOYUTLAR (mm)

Model	A	B	C	C of G
AA274C	905	842	215	420
AA274D	905	842	215	430
AA274E	1020	957	330	445
AA274F	1020	957	330	475
AA274G	1070	1007	380	490
AA274H	1110	1047	420	510

FLANGE / FLANŞ (mm)

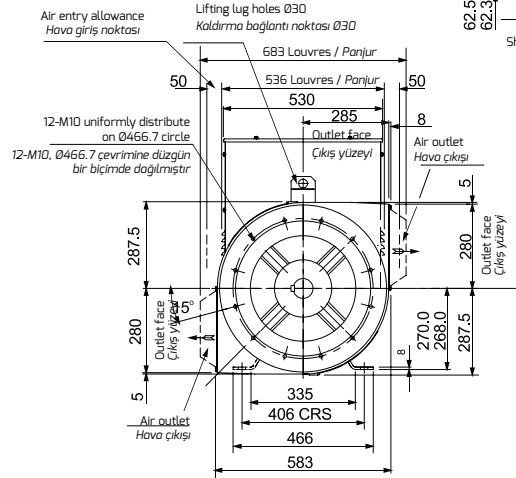
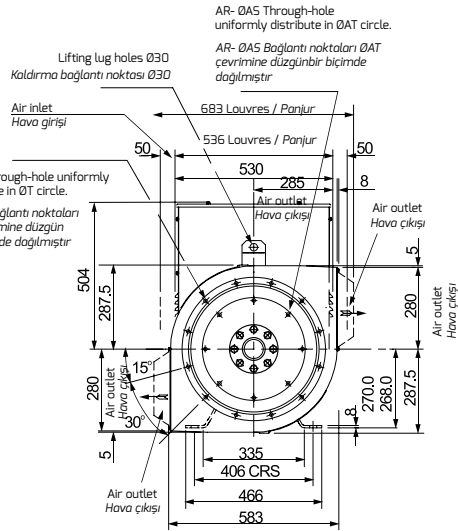
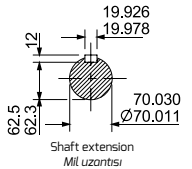
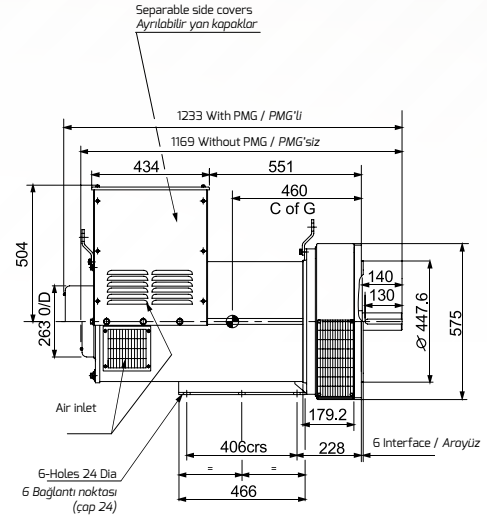
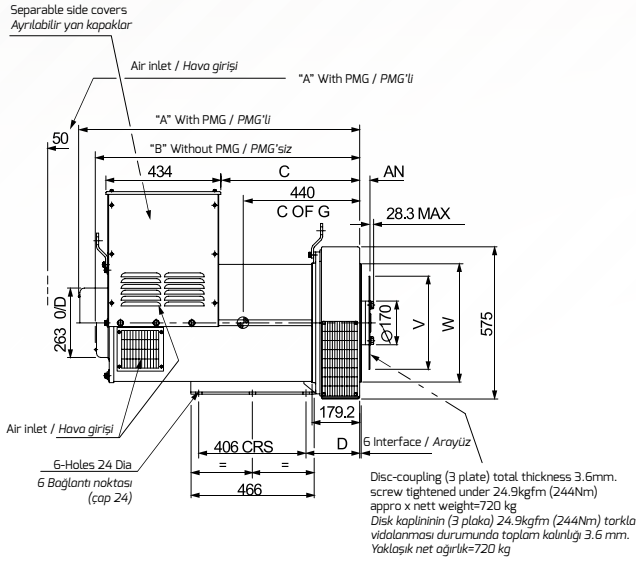
S.A.E.NO.	R	S	T	W	X
1	12	12.7	530.2	511.1	553
2	12	11	466.7	447.6	495
3	12	11	428.6	409.5	451

SHIPPING DIMENSIONS / SEVKİYAT BOYUTLARI (mm)

Model	Net Weight Net Ağırlık (kg)	Gross Weight Brüt Ağırlık (kg)	LxWxH(mm)
AA274C	395	435	980x650x975
AA274D	420	460	980x650x975
AA274E	470	510	1080x650x975
AA274F	510	550	1080x650x975
AA274G	560	600	1110x650x975
AA274H	610	650	1160x650x980

SINGLE BEARING / TEK YATAKLI

DOUBLE BEARING / ÇİFT YATAKLI



FLANGE / FLANŞ (mm)								
S.A.E.NO.	A	B	C	D	R	S	T	W
1	1063	1000	525	202	12	12.7	530.2	511.1
2	1063	1000	525	202	12	11	466.7	447.6
3	1086.5	1023.5	548.5	225.5	12	11	428.6	409.5

DISC COUPLING / DİSK KAPLİN (mm)					
S.A.E.NO.	AN	AR	AS	AT	V
11.5	39.68	8	11	333.3	352.3
14	25.40	8	13.5	438.2	466.6

SAE NO SELECTOR CHOWT / SAE NO SEÇİM TABLOSU

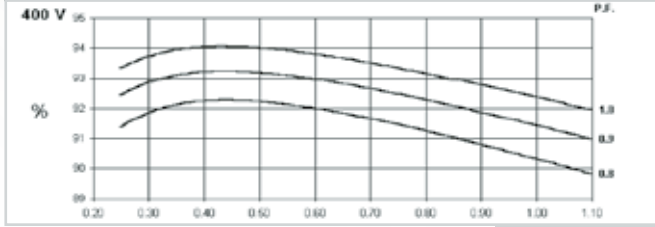
	EEA274C-H			EEA274J-K	
	SAE 10	SAE 11.5	SAE 14	SAE 11.5	SAE 14
SAE 0					
SAE 1
SAE 2
SAE 3

AA 274

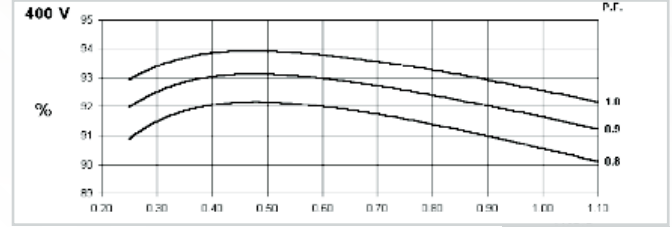
EFFICIENCY CURVES / VERİM GRAFİKLERİ



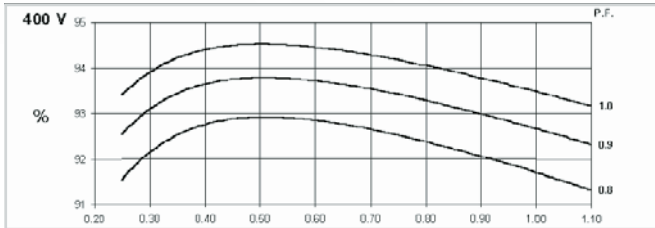
50 Hz



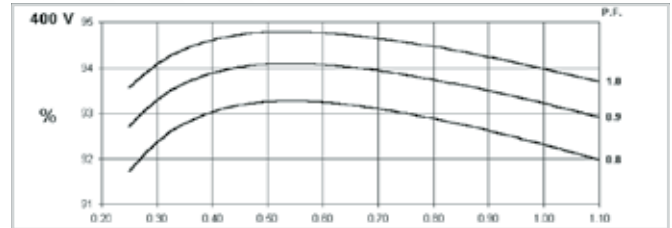
AA274C



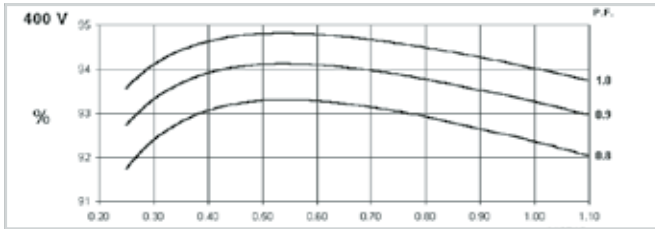
AA274D



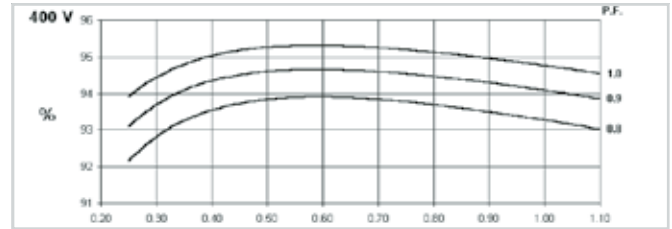
AA274E



AA274F



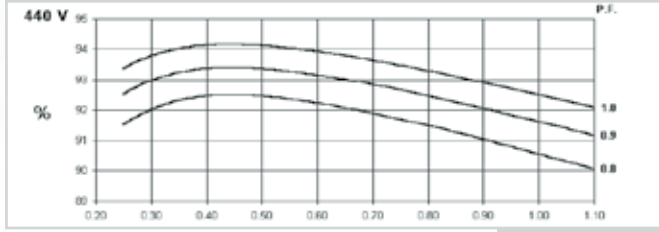
AA274G



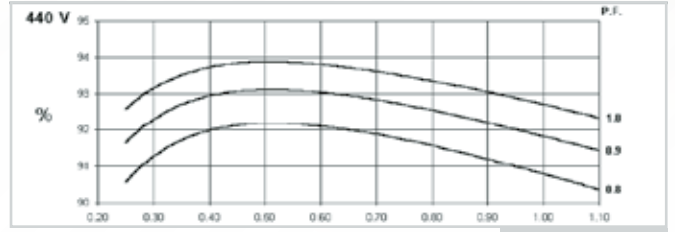
AA274H

VOLTAGE SERIES STAR 400/230 50Hz

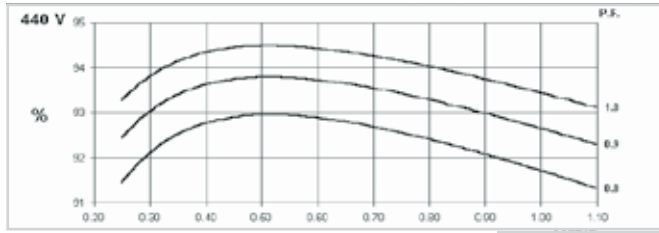
MODEL	AA274C	AA274D	AA274E	AA274F	AA274G	AA274H
Xd DIR. AXIS SYNCHRONOUS	2.21	2.06	2.11	2.02	1.92	1.91
X'd DIR. AXIS TRANSIENT	0.18	0.18	0.19	0.17	0.17	0.16
X''d DIR. AXIS SUBTRANSIENT	0.13	0.11	0.13	0.12	0.12	0.11
Xq QUAD. AXIS REACTANCE	1.43	1.32	1.38	1.25	1.15	1.15
X''q QUAD. AXIS SUBTRANSIENT	0.16	0.16	0.16	0.15	0.16	0.15
XL LEAKAGE REACTANCE	0.06	0.06	0.08	0.06	0.07	0.08
X2 NEGATIVE SEQUENCE	0.14	0.13	0.14	0.13	0.12	0.12
X0 ZERO SEQUENCE	0.09	0.08	0.09	0.08	0.07	0.08
T'd TRANSIENT TIME CONST. (s)	0.028 s	0.031 s	0.032 s	0.035 s	0.038 s	0.042 s
T''d SUB-TRANSTIME CONST. (s)	0.001 s	0.01 s	0.01 s	0.011 s	0.012 s	0.012 s
T''do O.C. FIELD TIME CONST. (s)	0.8 s	0.85 s	0.85 s	0.9 s	1 s	1.1 s
Ta ARMATURE TIME CONST. (s)	0.007 s	0.0073 s	0.007 s	0.009 s	0.01 s	0.012 s
SHORT CIRCUIT RATIO	1/Xd	1/Xd	1/Xd	1/Xd	1/Xd	1/Xd



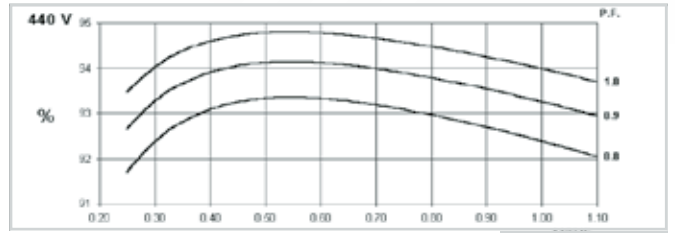
AA274C



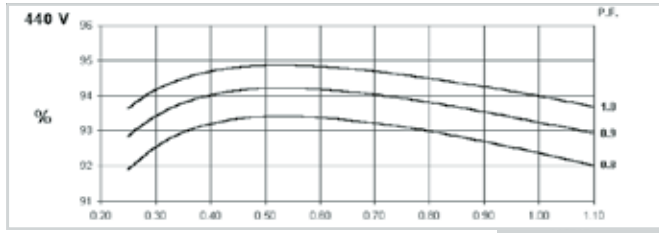
AA274D



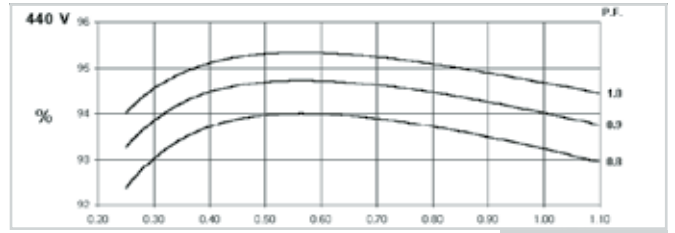
AA274E



AA274F



AA274G



AA274H

VOLTAGE SERIES STAR 440/254 60Hz

MODEL	AA274C	AA274D	AA274E	AA274F	AA274G	AA274H
Xd DIR. AXIS SYNCHRONOUS	2.58	2.36	2.51	2.37	2.31	2.31
X'd DIR. AXIS TRANSIENT	0.22	0.20	0.23	0.20	0.20	0.19
X''d DIR. AXIS SUBTRANSIENT	0.15	0.14	0.16	0.13	0.14	0.13
Xq QUAD. AXIS REACTANCE	1.48	1.39	1.63	1.43	1.40	1.41
X''q QUAD. AXIS SUBTRANSIENT	0.21	0.20	0.21	0.19	0.17	0.18
XL LEAKAGE REACTANCE	0.07	0.07	0.08	0.08	0.08	0.09
X2 NEGATIVE SEQUENCE	0.18	0.16	0.18	0.15	0.15	0.15
X0 ZERO SEQUENCE	0.011	0.09	0.10	0.09	0.09	0.09
T'd TRANSIENT TIME CONST. (s)	0.028 s	0.031 s	0.032 s	0.035 s	0.038 s	0.042 s
T''d SUB-TRANSTIME CONST. (s)	0.001 s	0.01 s	0.01 s	0.011 s	0.012 s	0.012 s
T''do O.C. FIELD TIME CONST. (s)	0.8 s	0.85 s	0.85 s	0.9 s	1 s	1.1s
Ta ARMATURE TIME CONST. (s)	0.007 s	0.0073 s	0.007 s	0.009 s	0.01 s	0.012 s
SHORT CIRCUIT RATIO	1/Xd	1/Xd	1/Xd	1/Xd	1/Xd	1/Xd